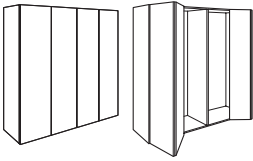
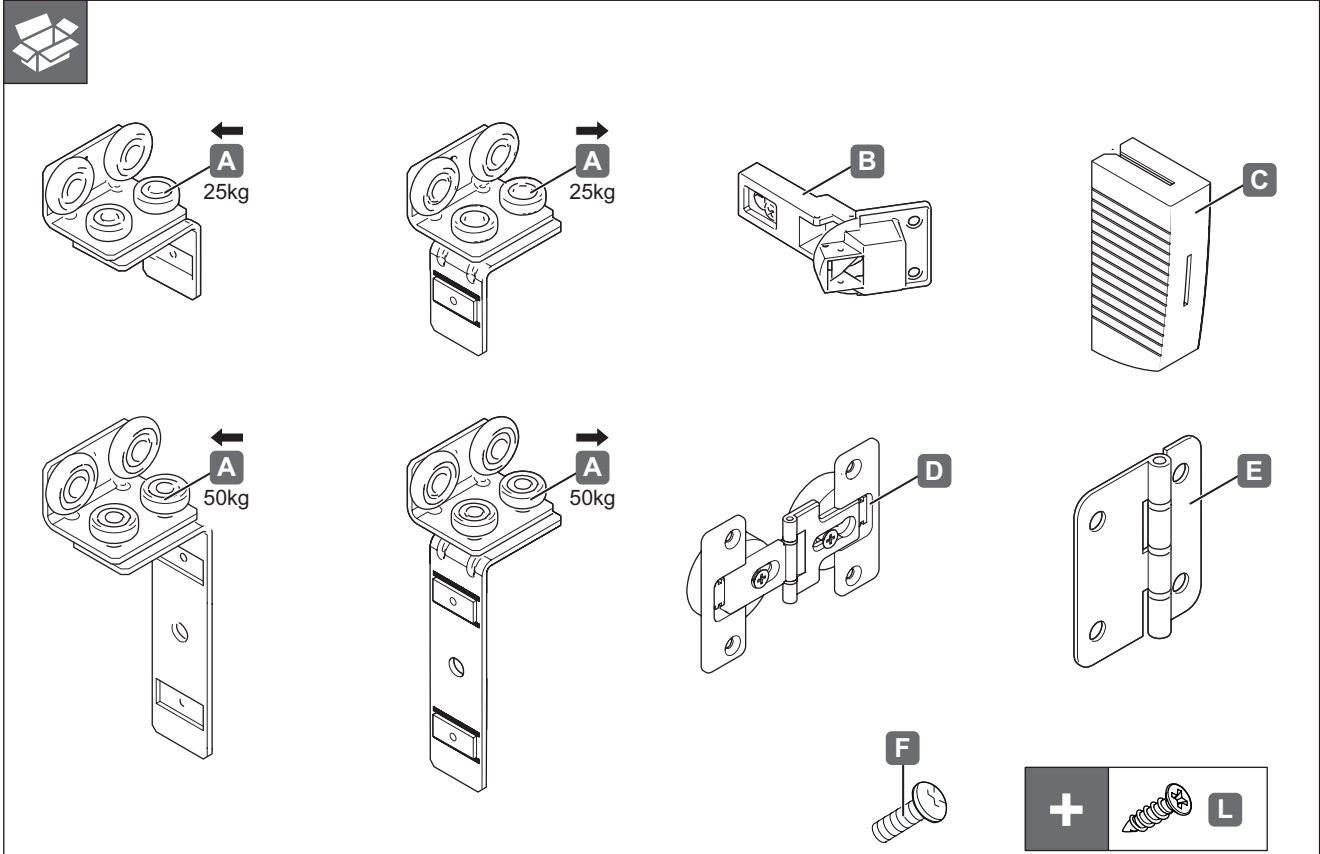




## Slido F-Fold61 25A Slido F-Fold61 50A



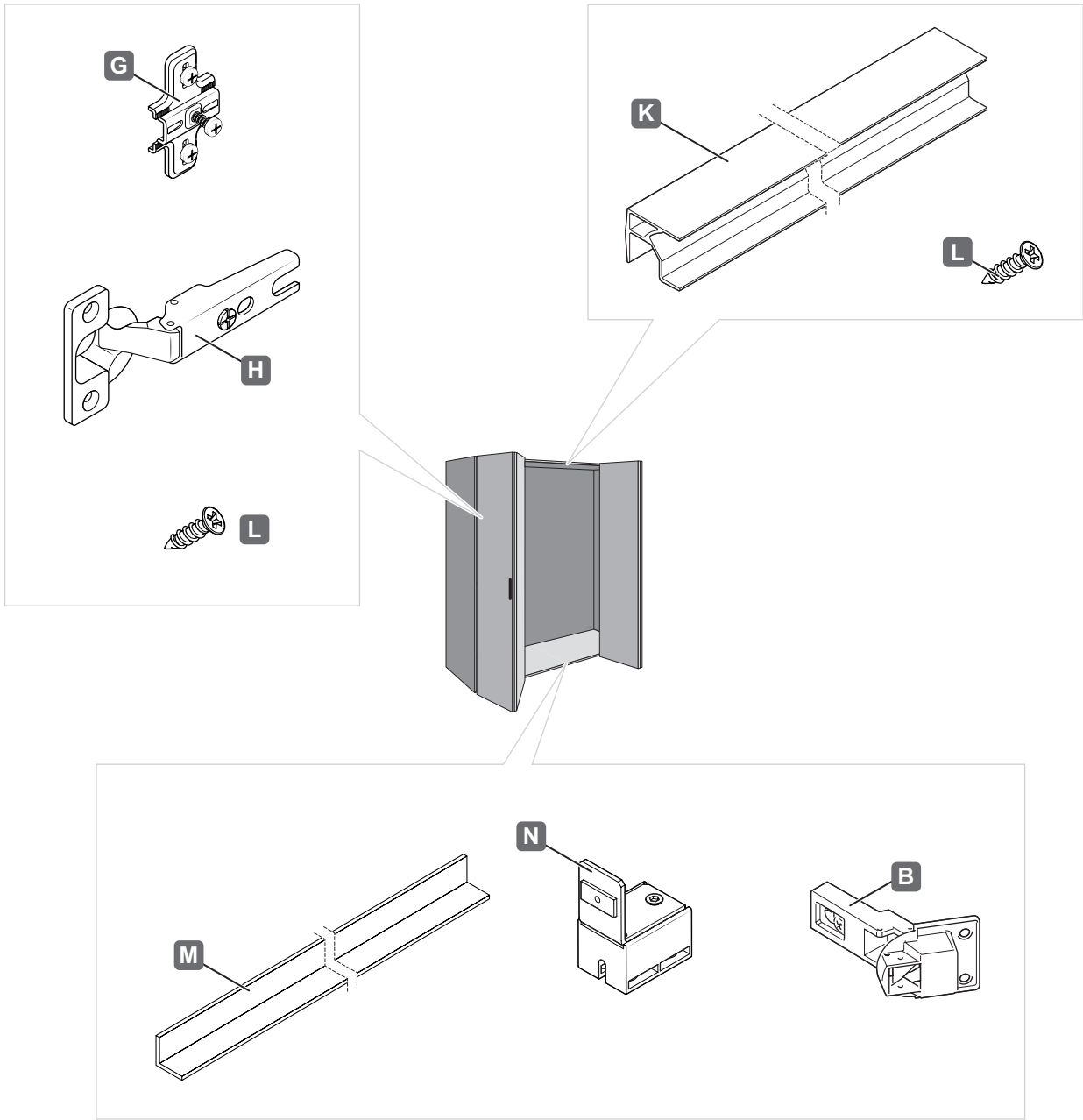
409.36.032	409.36.038	409.36.044
409.36.033	409.36.039	409.36.045
409.36.034	409.36.040	409.36.046
409.36.035	409.36.041	409.36.047
409.36.036	409.36.042	409.36.048
409.36.037	409.36.043	409.36.049



732.24.126

	25kg	50kg	25kg	50kg				
409.36.032	1x				1x			4x
409.36.033			1x		1x			4x
409.36.036	1x		1x		2x			8x
409.36.038	1x				1x		4x	
409.36.039			1x		1x		4x	
409.36.042	1x		1x		2x		8x	
409.36.044	1x				1x	1x	4x	
409.36.045			1x		1x	1x	4x	
409.36.048	1x		1x		2x	2x	8x	
409.36.034		1x			2x			4x
409.36.035				1x	2x			4x
409.36.037		1x		1x	4x			8x
409.36.040		1x			2x		4x	
409.36.041				1x	2x		4x	
409.36.043		1x		1x	4x		8x	
409.36.045		1x			2x	1x	4x	
409.36.047				1x	2x	1x	4x	
409.36.049		1x		1x	4x	2x	8x	

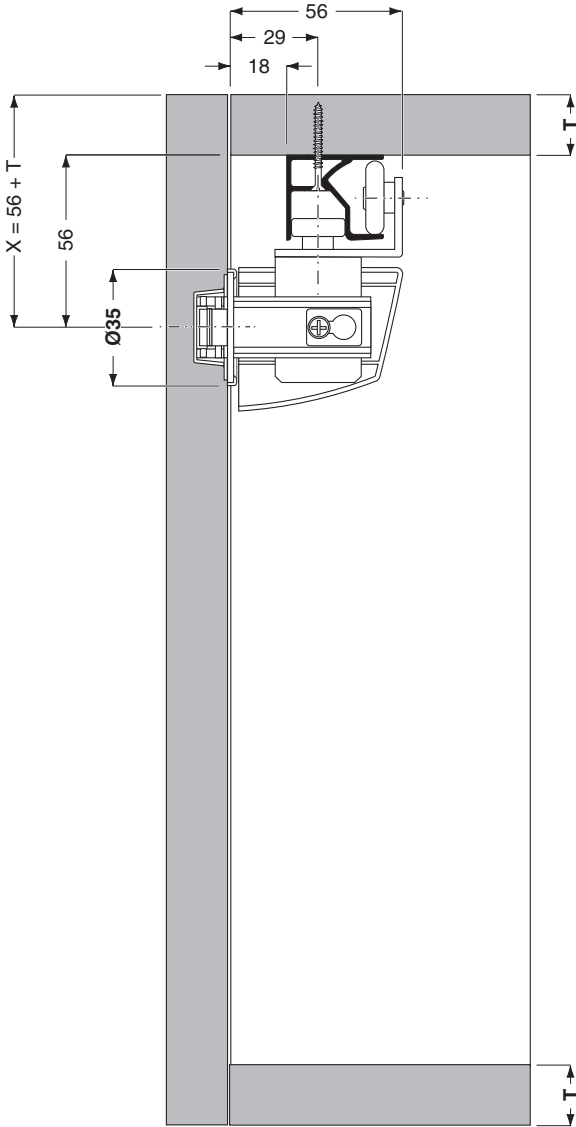
HDE 27.02.2024



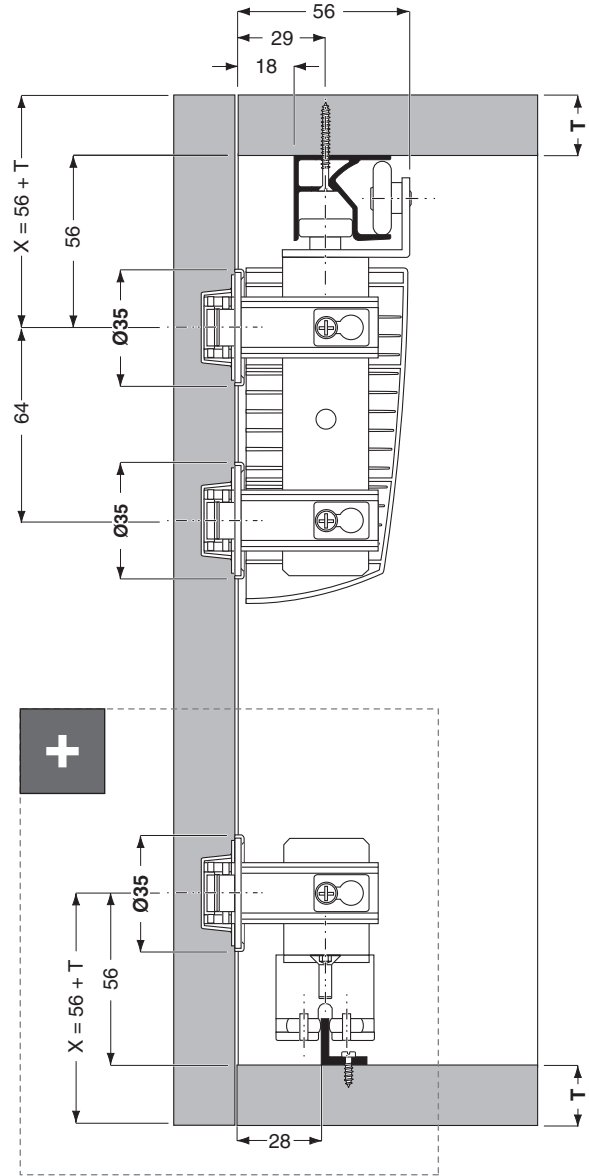
i

mm

**Slido F-Fold61 25A**  
25kg



**Slido F-Fold61 50A**  
50kg

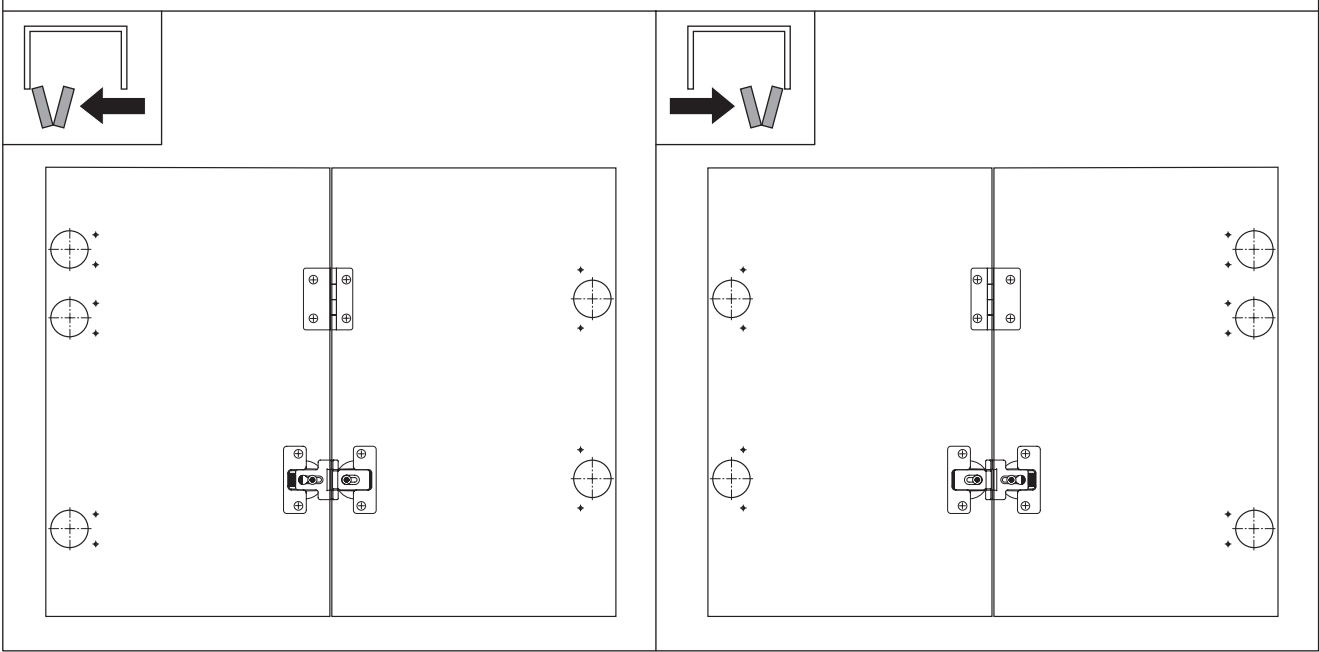
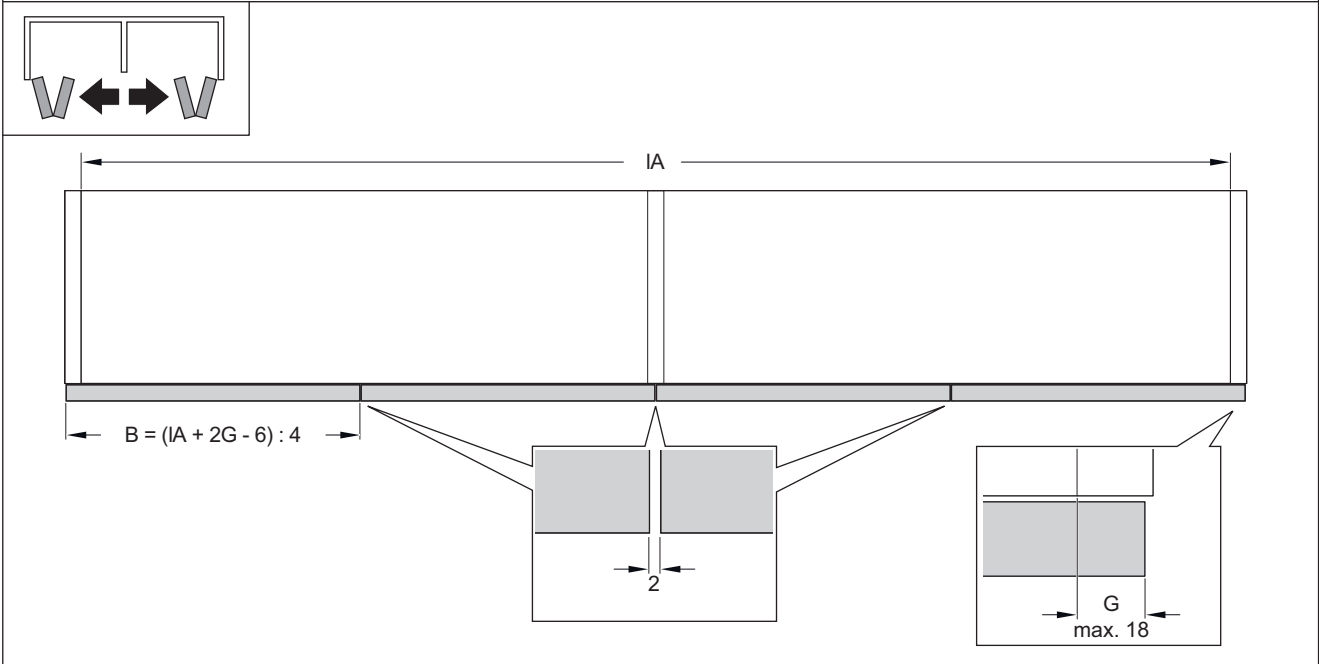
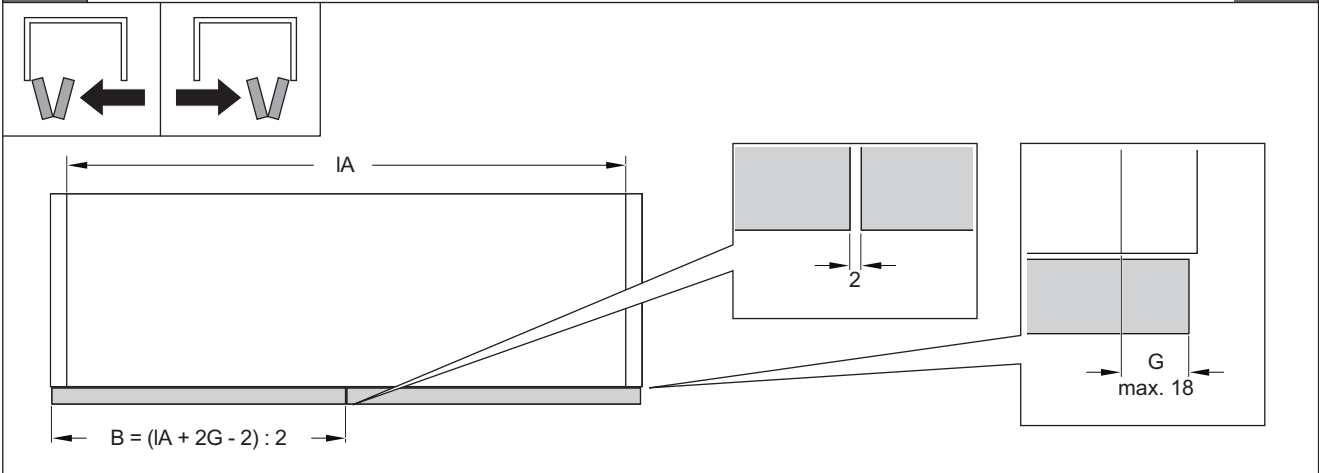


732.24.126

HDE 27.02.2024

**i**

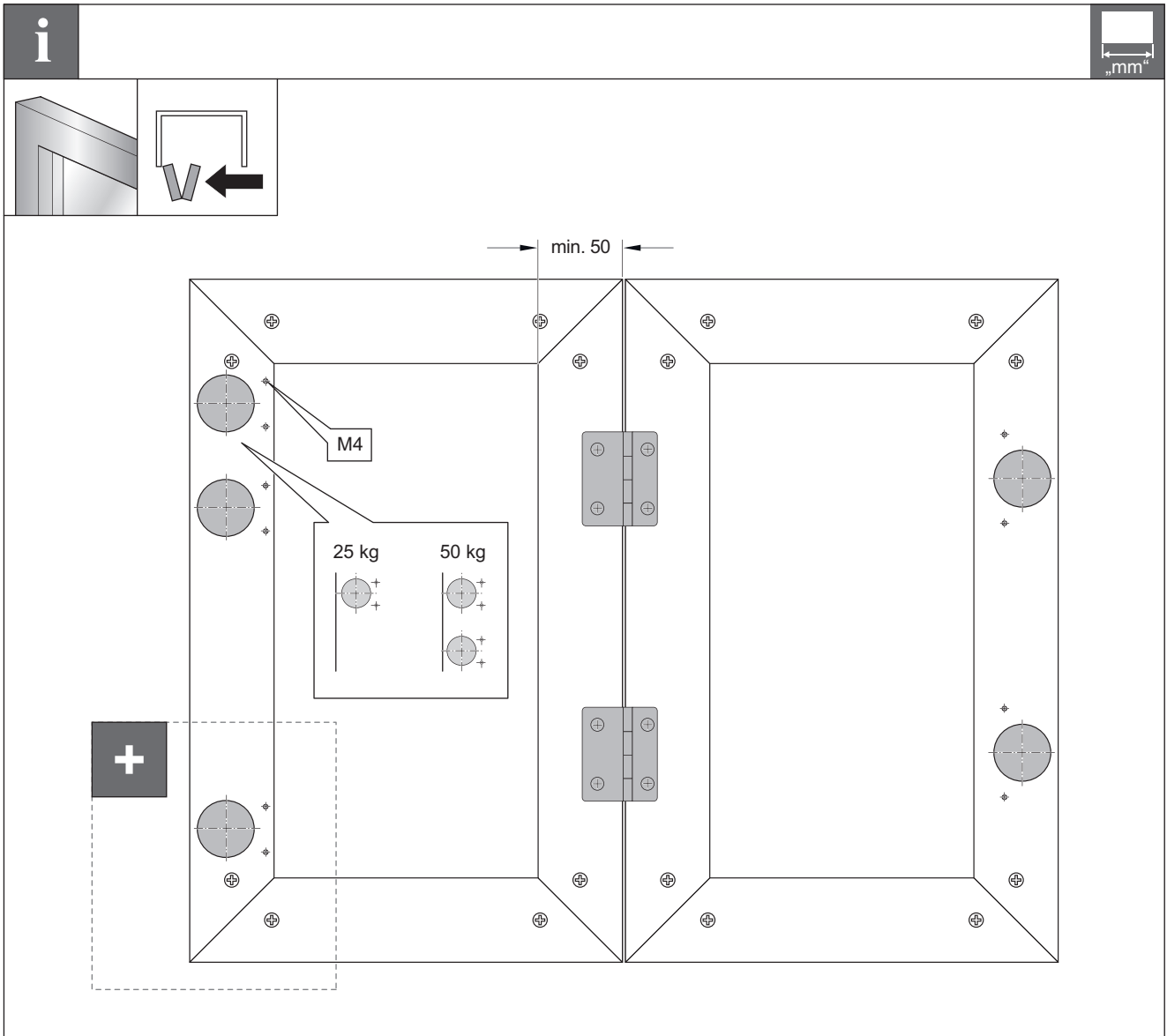
„mm“



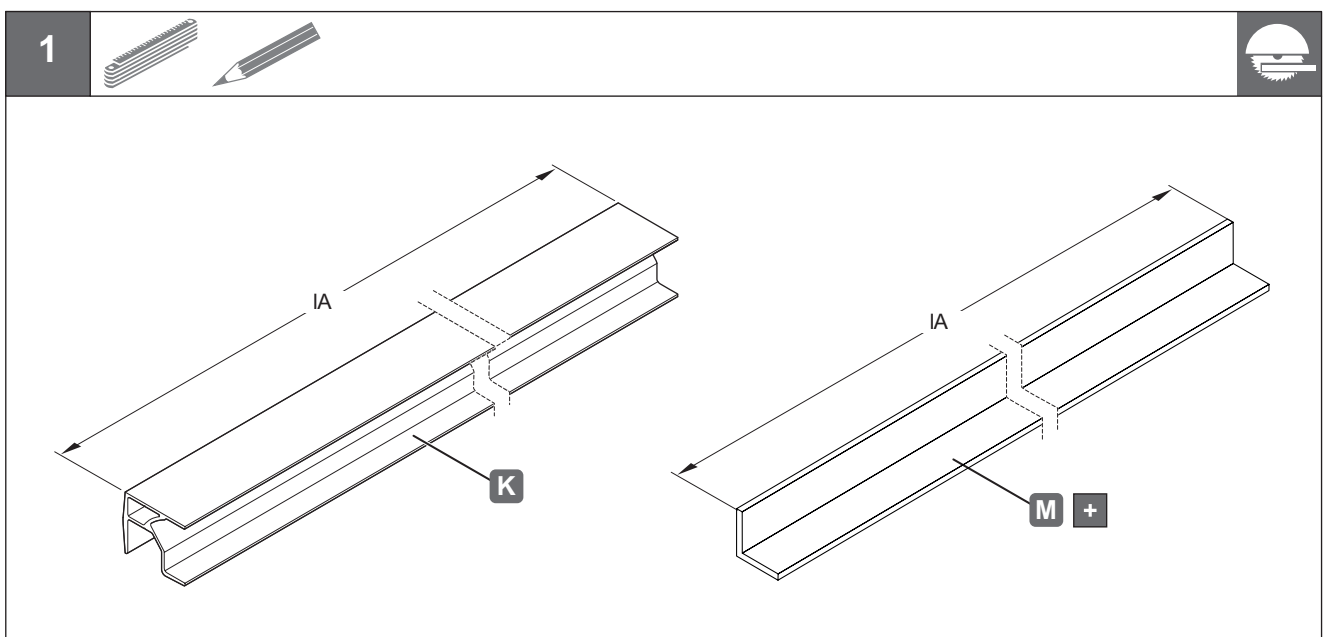
732.24.126

HDE 27.02.2024



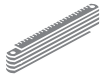


732.24.126



HDE 27.02.2024

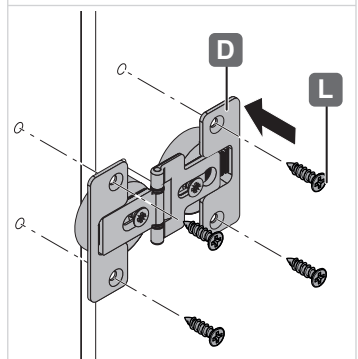
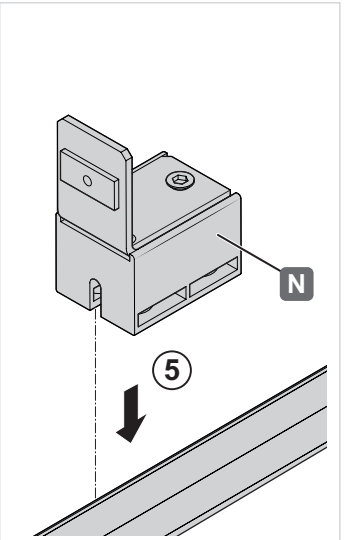
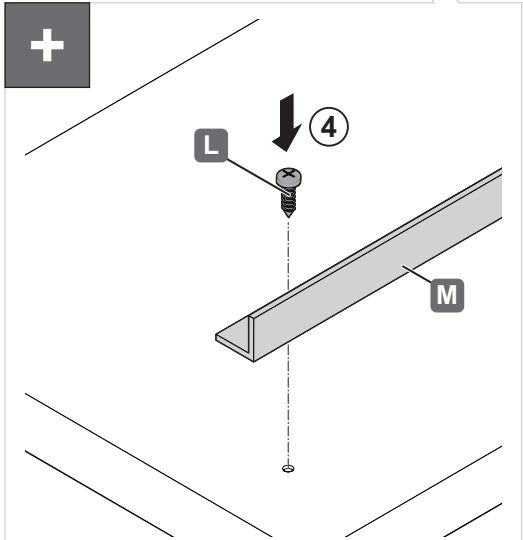
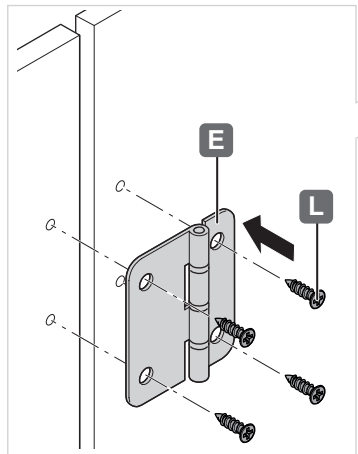
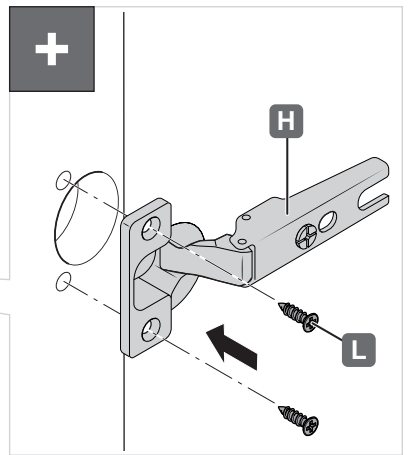
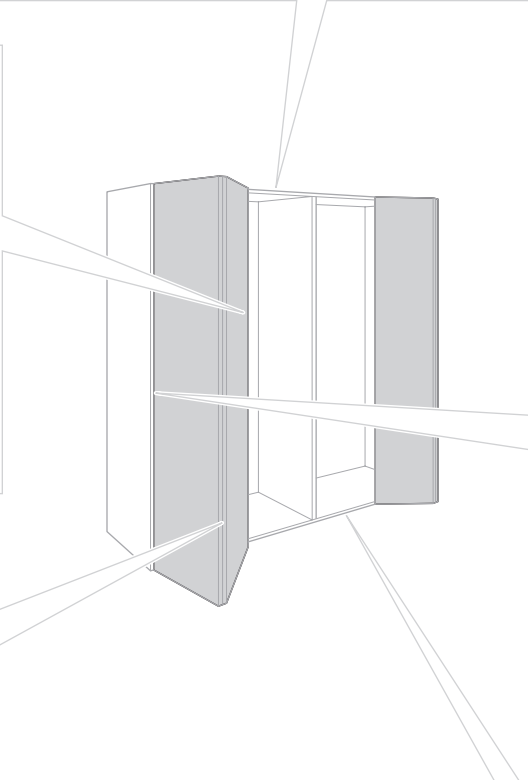
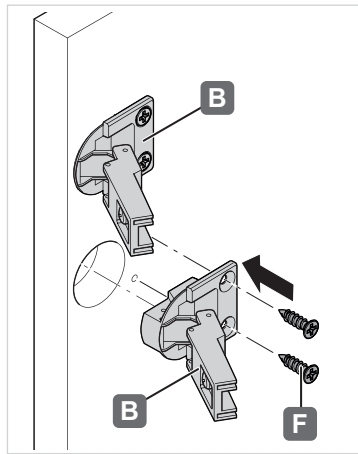
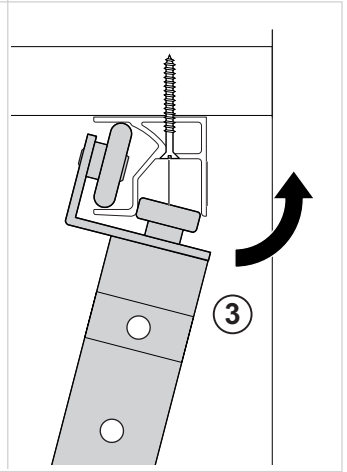
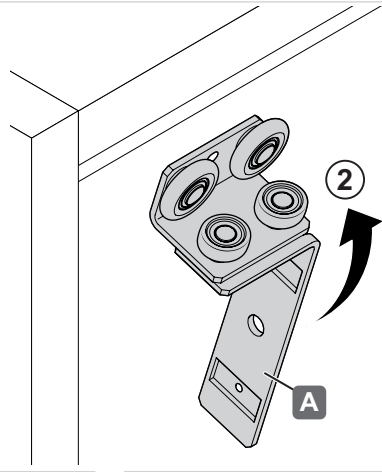
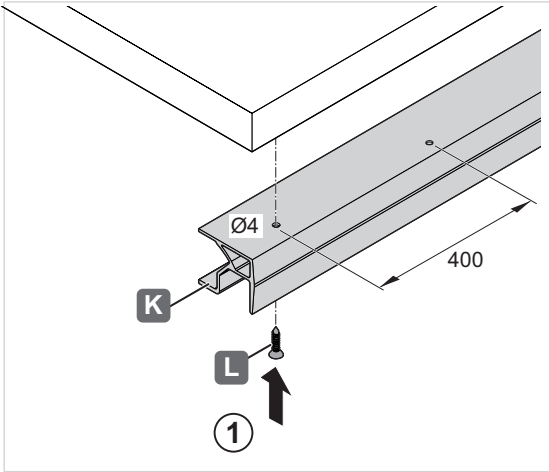
2



PZ2



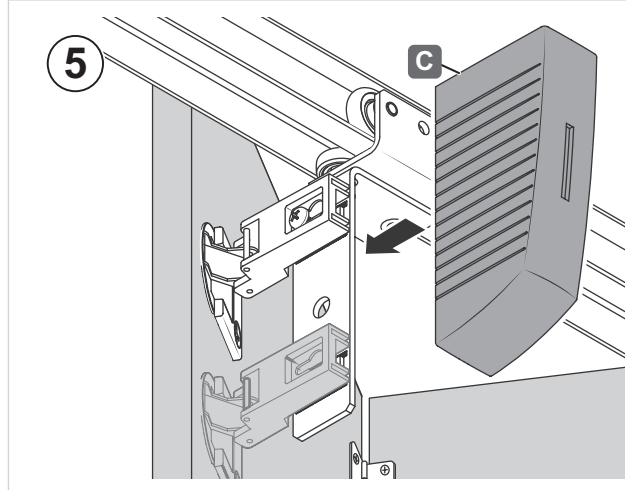
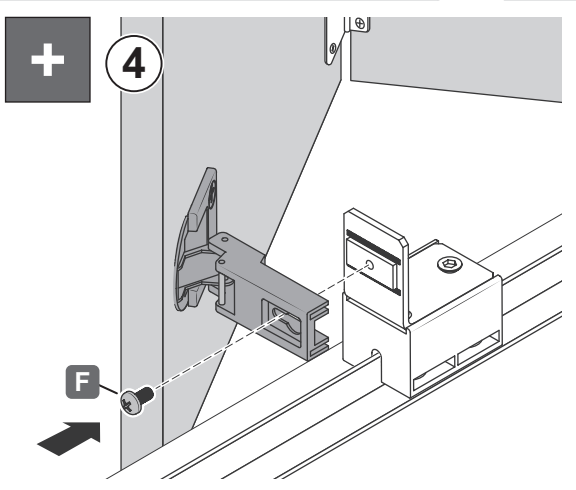
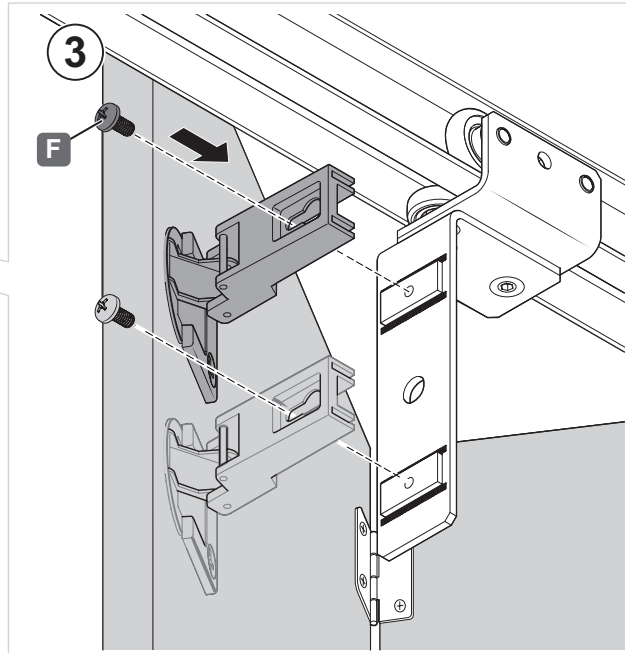
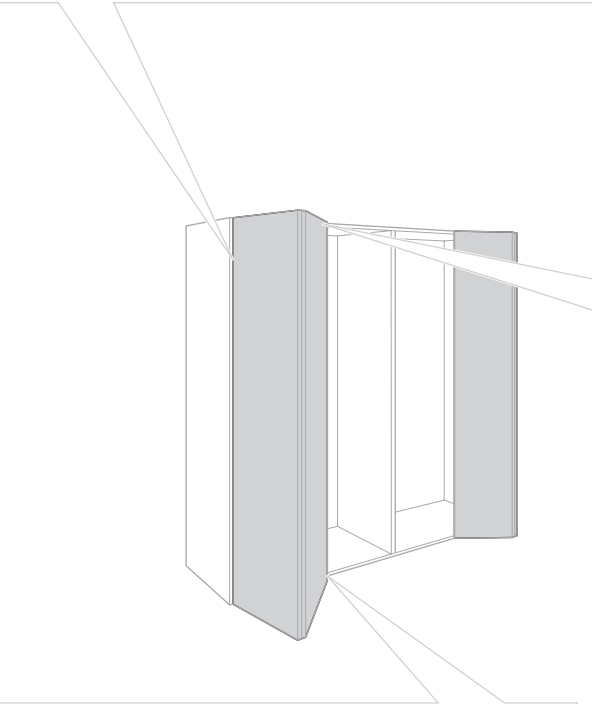
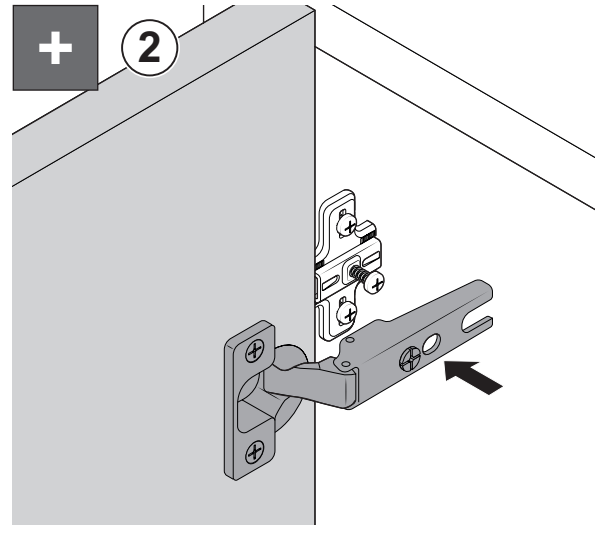
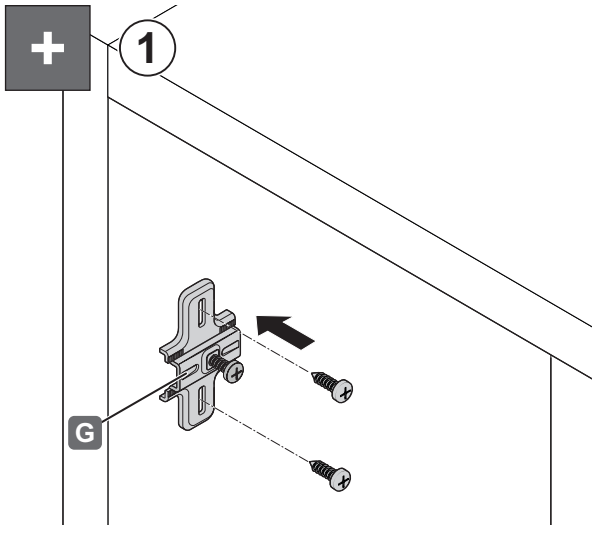
.mm



732.24.126

HDE 27.02.2024

3



732.24.126

HDE 27.02.2024